

## Two lamp wall sconce light

# 606032 -LED

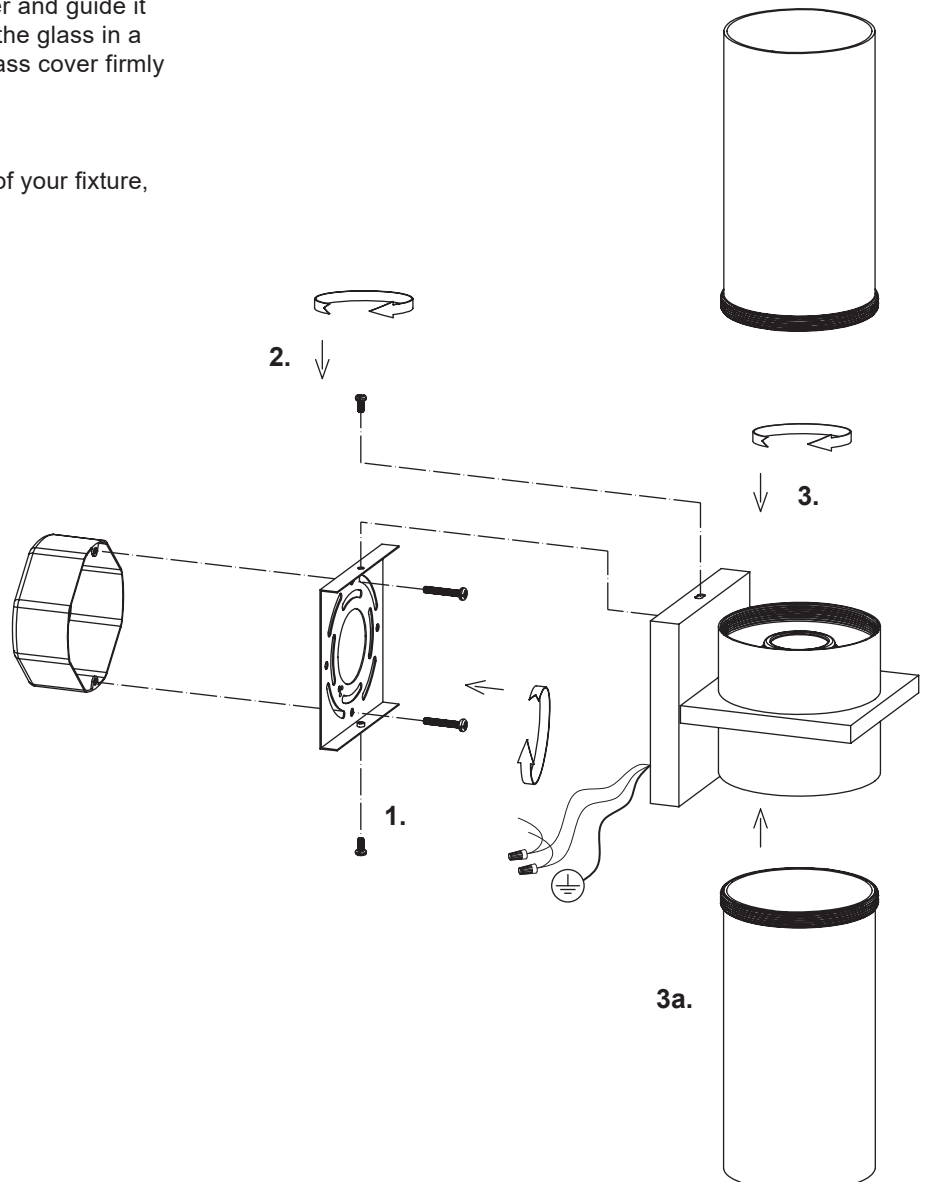
## INSTALLATION SHEET

- 1.** Remove the fixture from its original packaging. Remove the canopy mounting plate from within the canopy and attach it to the electrical junction box, and wall, using the two screws provided in the hardware package.
- 2.** Attach the canopy to the mounting plate, which is attached to the electrical junction box on the wall. First attach all wiring with the provided marrets (white to white "N", black to black "L", ground to ground "G"). Push the canopy onto the mounting plate installed on the wall and align the two holes (one above & one below) on the canopy to the holes on the mounting plate. Once aligned, screw in the two screws provided to secure the fixture to the wall.
- 3.** Install the glass light covers onto the fixture. Take the first glass light cover and guide it gently into the fixture, then carefully turn the glass in a clockwise motion in order to screw the glass cover firmly into place (do not over tighten). **(3a)** Take the second glass cover and guide it gently into the fixture, then carefully turn the glass in a clockwise motion in order to screw the glass cover firmly into place (do not over tighten).
- 4.** You have now completed the installation of your fixture, please enjoy.

### START FROM HERE

- Make sure power is completely off at the fuse box.
- Have your fixture installed by a qualified licensed electrician
- Prepare everything in clear area.
- Wear gloves at all times during this installation.
- Read instructions carefully before you start assembly.
- Keep this instruction sheet for future reference.

**Technical Support:** 1-877-452-6858



# KUZCO LIGHTING

19054 28th Avenue Surrey, BC Canada V3Z 6M3  
T: 604 538 7162 TF: 1-855 85 KUZCO F: 604 538 7196  
W: kuzcolighting.com